

LTC I32x Series, LTC I42x Series Monochrome and Color FlexiDome® II Cameras

- Fixed Cameras in 64-mm (2.5-inch) Domes
- 1/4-inch Format High Resolution CCD Imager
- Full range of color and monochrome models
- Available with 3-mm or 6-mm Lenses
- All Models with advanced DSP
- Backlight Compensation
- 24 VAC Supply with Line-Lock



The LTC I32x and LTC I42x Series FlexiDome® II are fixed compact cameras in stylish surveillance domes. The high performance 1/4-inch monochrome or color CCD cameras come in a choice of 3-mm or 6-mm integral lenses for wide angle or standard view. Wide AC voltage ranges allow flexibility in both PAL and NTSC versions.

The FlexiDome II cameras are easily surface mounted on ceilings or walls to elegantly blend with their environment. The lightly tinted dome masks the camera with minimum f-stop loss. With its 24 VAC supply and line-lock capabilities, this camera is not sensitive to the color interaction between the shutter and fluorescent lighting, common to DC-supplied cameras.

Various configuration possibilities are available via the easily accessible switches for white balance, line-lock, phase adjustment, and backlight compensation. The camera's viewing direction can be manually adjusted, and the ball mounted construction ensures a stable camera view.

The backlight compensation and wide dynamic range, combined with the many other image enhancement features of the proprietary DSP ensure optimum contrast and a clear picture of the object at any time.

Enhanced picture quality, true color reproduction, and outstanding reliability make these domed cameras an excellent choice for indoor applications in retail, casinos, museums, malls, and bank or hotel lobbies.

SPECIFICATIONS

Models

Monochrome:

LTC 1322 Series: With 3 mm f/2.0 integral lens.

LTC 1323 Series: With 6 mm f/2.0 integral lens.

Color:

LTC 1422 Series: With 3 mm f/2.0 integral lens.

LTC 1423 Series: With 6 mm f/2.0 integral lens.

Electrical

Model No. Systems	Voltage Range	Mono/Color
Monochrome		
LTC 1322/10	12 to 28 VAC or VDC	CCIR
LTC 1323/10	12 to 28 VAC or VDC	CCIR
LTC 1322/20	12 to 28 VAC or VDC	EIA RS-170
LTC 1323/20	12 to 28 VAC or VDC	EIA RS-170
Color		
LTC 1422/10	12 to 28 VAC or VDC	PAL B
LTC 1423/10	12 to 28 VAC or VDC	PAL B
LTC 1422/20	12 to 28 VAC or VDC	NTSC
LTC 1423/20	12 to 28 VAC or VDC	NTSC

Power is 2 W for all models.

Imager: Interline transfer CCD; 1/4-inch image format.

Active Picture Elements:

PAL/CCIR Models: 752 H x 582 V.

NTSC/EIA Models: 768 H x 492 V.

Horizontal Resolution:

PAL/NTSC Color Models: 470 TVL.

CCIR/EIA Monochrome Models: 570 TVL.

Sensitivity (3200 K):

		Usable Picture (50IRE)	Full Video
Monochrome			
Scene illumination	fc	0.05	0.25
	lx	0.5	2.5
Color			
Scene illumination	fc	0.45	2.2
	lx	4.5	22

f/2 lens, 89.9% scene reflectance.

Signal-to-noise (Min. AGC): >48 dB

AGC: 20 dB

Electronic Shutter:

PAL/CCIR Models: 1/50 to 1/100,000 sec.

NTSC/EIA Models: 1/60 to 1/100,000 sec.

White Balance (Color Models Only):

Continuous Tracking (ATW): 2500 K to 9000 K.

White Balance Store (AWB): 2500 K to 9000 K

Video Output: 1.0 Vp-p, 75 ohm.

Aperture Correction:

Horizontal and vertical.

Synchronization:

Line-Lock (When powered by AC): Synchronizes camera to power line zero crossing for roll-free vertical interval switching. Vertical phase delay can be externally adjusted (continuously) to allow vertical synchronization in multiphase power installations.

Controls:

Line-Lock: Selectable On/Off.

Phase Adjust Range: 330°.

White balance: ATW or AWB (color models only).

Backlight Compensation: On/Off.

Connectors:

Video Out: BNC.

Power: Terminal block, power supply terminals are isolated from video output BNC.

Mechanical

Cable Entry: Internal connections.

Mounting:

Mounts on wall or ceiling.

Adjustable camera viewing position: 120° Horiz; 120° Vertical; 360° Rotation.

Viewing angle: 3mm lens - 53° Horiz., 38° Vert.

Viewing angle: 6mm lens - 36° Horiz., 27° Vert.

Construction/Finish: Polycarbonate (PC) dome on molded PC/ABS housing.

Dimensions: 115 mm (4.5 in) diameter x 77 mm (3 in) height.

Weight: 0.4 kg (0.9 lb).

Environmental

Temperature:

Operating: -10 °C to +45 °C (+14 °F to +113 °F).

Storage: -25 °C to +70 °C (-4 °F to +158 °F).

Humidity: 0% to 93% relative, noncondensing.

Electromagnetic Compatibility

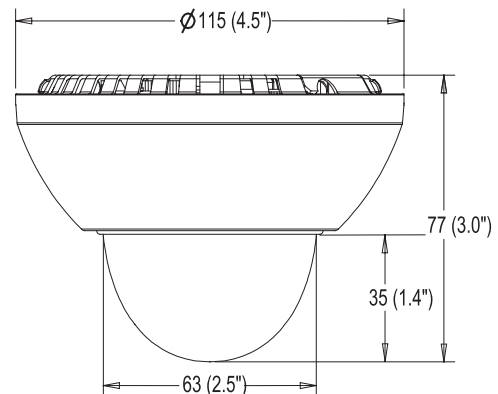
EMC Requirements: CE Immunity, CE Emission Class B, FCC Class B.

Safety: CE, UL, cUL.

Accessories

TC1323 Power Supply: Input 120 VAC, 60 Hz, Output 24 VAC 60 Hz 10VA.

TC220PSX-24 Power Supply: Input 220-240 VAC, 50/60 Hz, Output 24 VAC 50/60 Hz 20VA.



Dimensions

9498 962 42412 02-08

© 2002 Philips Electronics N.V.
© 2002 Philips Communication, Security & Imaging, Inc.
All Rights Reserved. Philips® is a registered trademark
Philips Electronics N.V.
Data subject to change without notice



PHILIPS

Let's make things better.